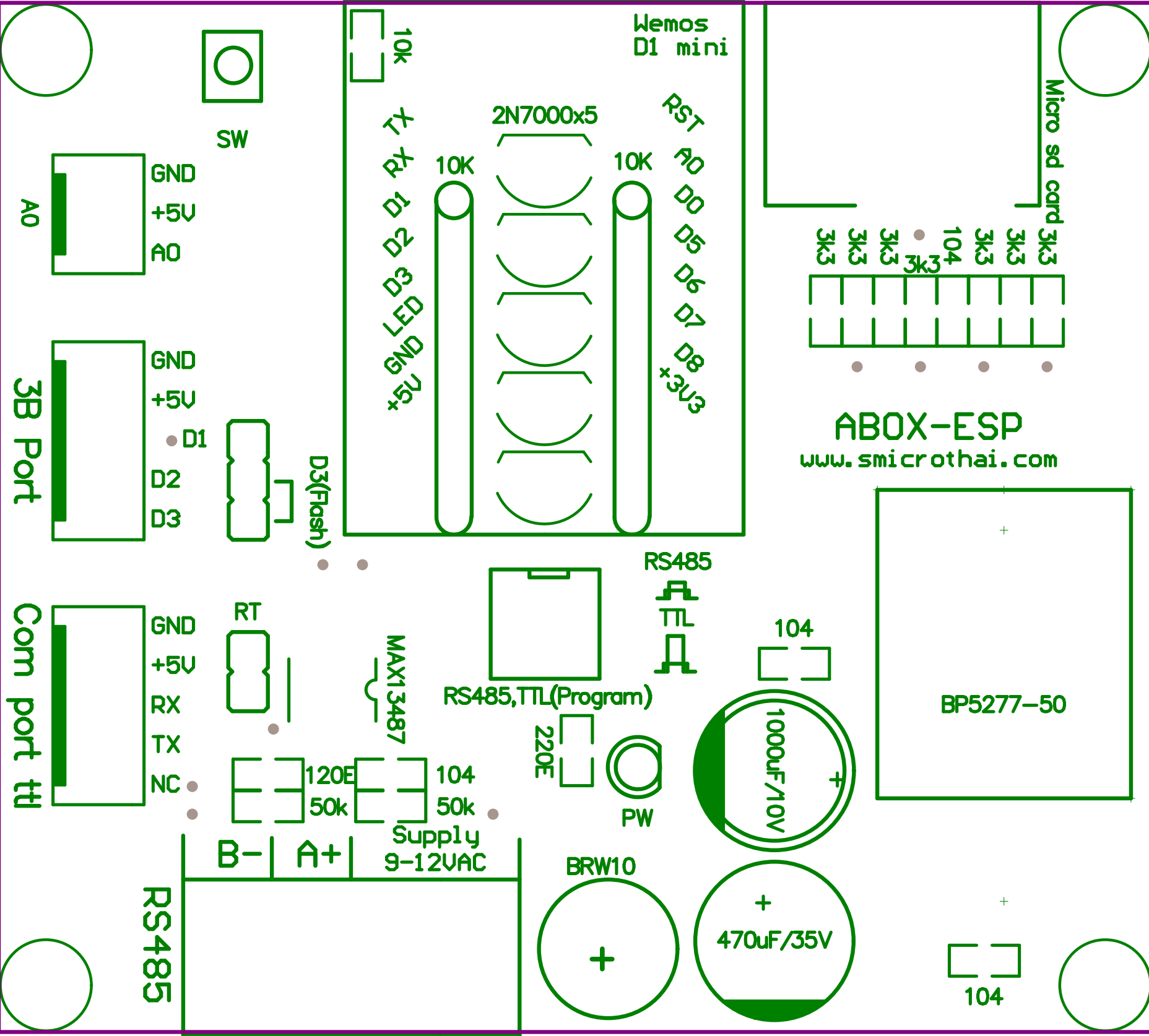


ABOX-ESP

74.00

00.99



ABOX-ESP
www.smicrothai.com

BP5277-50

104

1000uF/10V

BRW10

470uF/35V

104

Supply
9-12VAC

RS485, TTL (Program)

PW

220E

104
50k

120E
50k

MAX13487

RS485

D3(Flash)

SW

Wemos
D1 mini

Micro sd card

2N7000x5

10K

10K

10K
+
+
D1
D2
D3
LED
GND
+5V

RST
A0
D0
D5
D6
D7
D8
+3V3

3k3
3k3
3k3
3k3
104
3k3
3k3
3k3

RS485

3B Port

Com port

A0

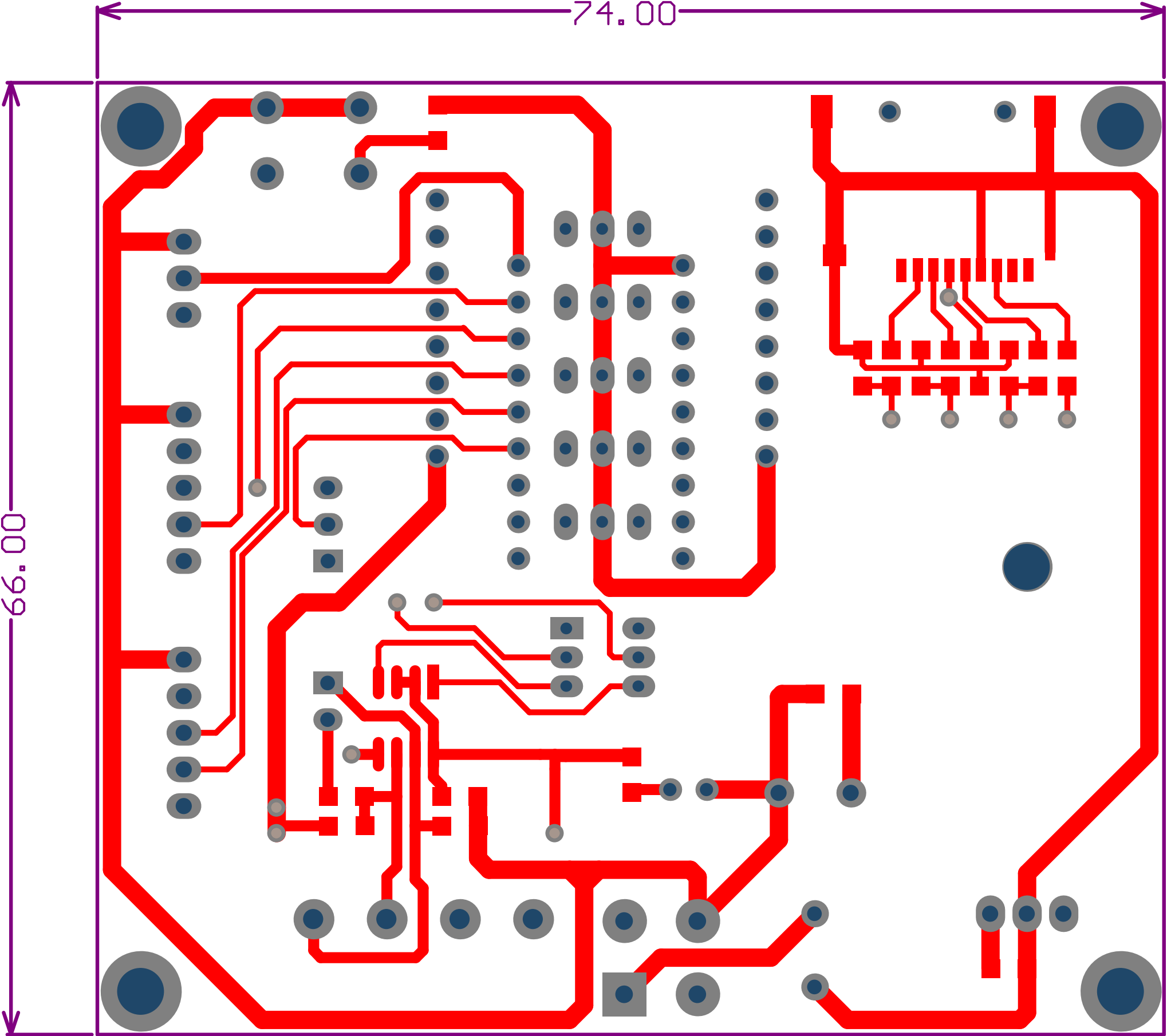
GND
+5V
A0

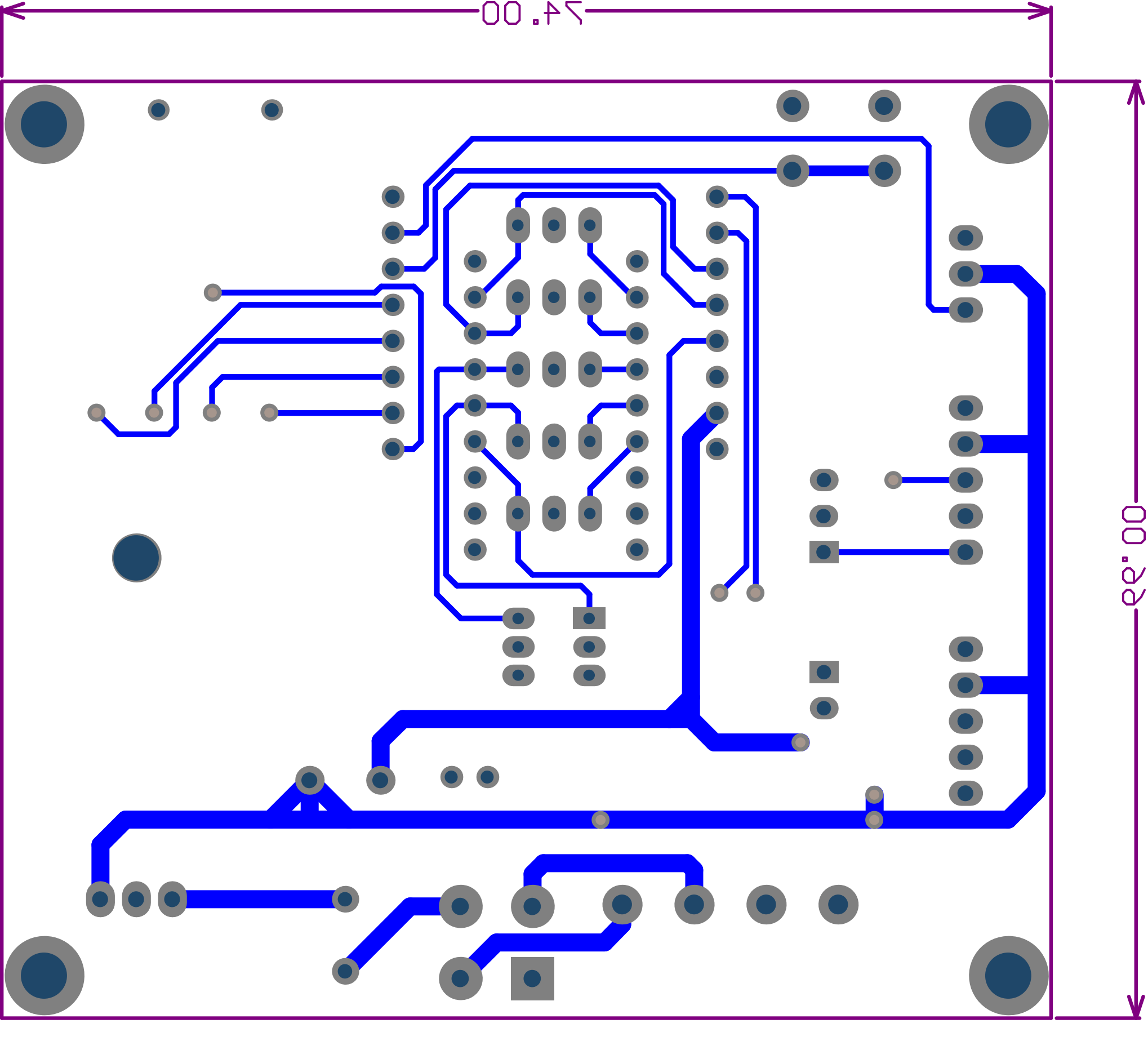
GND
+5V
D1
D2
D3

GND
+5V
RX
TX
NC

B-

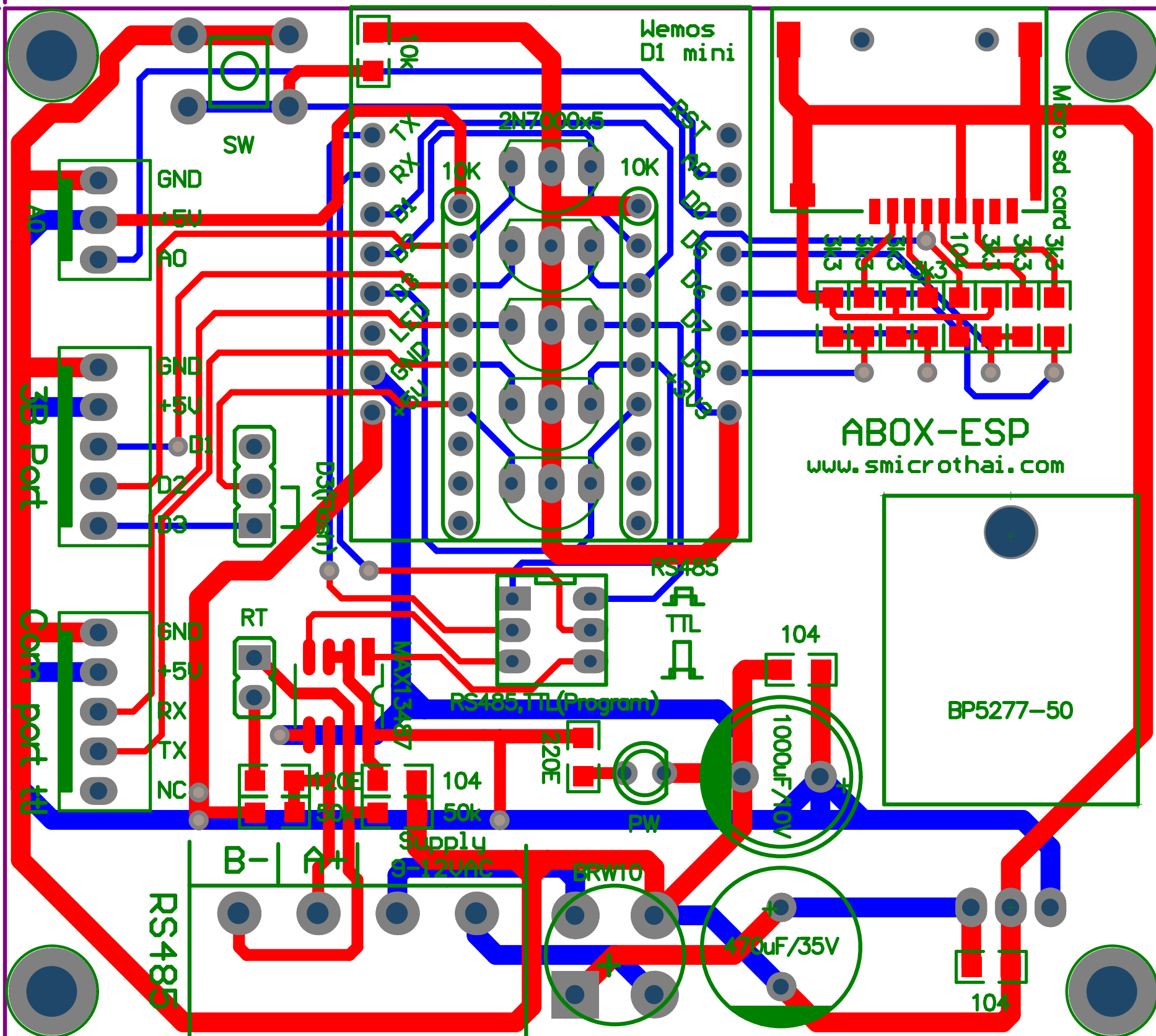
A+





74.00

00.99



Wemos
D1 mini

Micro sd card

ABOX-ESP
www.smicrothai.com

BP5277-50

RS485

Supply
9-12VAC

BRW10

470uF/35V

104

1000uF/10V

104

220E

104

50k

120E

RS485, TTL (Program)

RS485

MAX3487

RT

GND

+5V

RX

TX

NC

B-

A+

GND

+5V

A0

GND

+5V

D1

D2

D3

D3(not)

10k

10k

2N7000x5

10k

3k3

3k3

3k3

10k

3k3

3k3

3B Port

Com port

SW

10k

10k

10k

10k

10k

10k

10k

10k

10k

10k

10k

10k

10k

10k

10k

10k

10k

10k

10k

10k

10k

10k

10k

10k

10k

10k

10k

10k