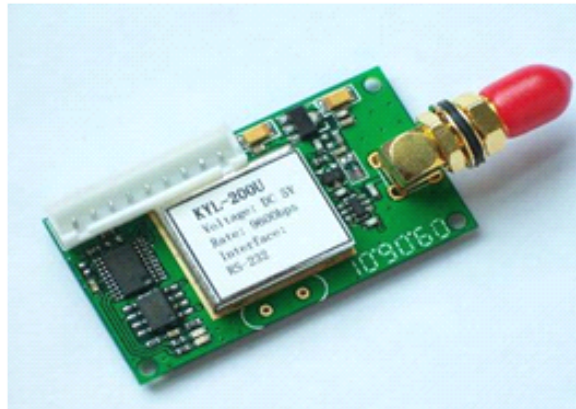


KYL-200U Transceiver Module



KYL-200U is a kind of micro power wireless transceiver data module. With small size, low power consumption as well as good stability and reliability, it is widely used in remote control, industry automation, wireless telemetry and so on. This module can be connected with micro-controller, PC, RS485 equipments and other devices with UART port directly.

I. Technical specification

PERFORMANCE	
Power Output:	100mW(Default), (50mW or 10mW optional)
RF Line-of-sight Range:	1000m@1200bps; 600m@9600bps
RF Effective Rate:	1200/2400/4800/9600/19200bps
Space Channel:	1MHz(Default), (12.5/25KHz customization)
Bandwidth:	<25KHz
Receiver Sensitivity:	-123dBm@1200bps(1% BER)
NETWORKING	
Networking Topology:	Point-to-point, point-to-multipoint
COMPATIBILITY	
KYL-200 and KYL-300 series	
POWER	
Supply Voltage:	5V DC (default), 3.3-3.6V(optional)
Transmit Current:	<40mA
Receive Current:	<20mA

Shenzhen KYL Communication Equipment Co., Ltd.

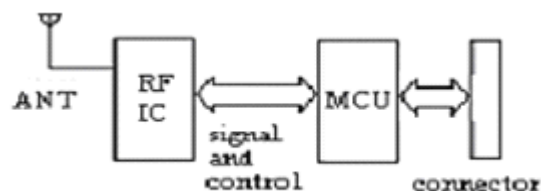
Sleep current:	<20uA
GENERAL	
Communication Mode:	Half-duplex
Frequency Band:	400-470MHz, 868MHz,915MHz
Channel:	8(default),16/32/64(optional)
Interface:	TTL, RS232, RS485
PHYSICAL PROPERTIES	
Size:	47mm×26mm×10mm (excluding antenna base and data pin)
Weight:	20g
Antenna Base:	50Ω, SMA
Operating Temperature:	Industrial:-40°C~+85°C (TCXO)
Frequency Stability:	±2.5ppm Industrial

II. Application Field

- * AMR (Automatic Meter Reading)
- * Wireless alarm and security systems
- * Building automation, wireless monitoring, Access Control System;
- * Wireless data transmission, automatic data collection system;
- * Wireless POS, PDA wireless smart terminal;
- * Wireless PTZ remote control, LED display;
- * Industry automation, wireless telemetry, SCADA and so on.

.....

III. How to Use It

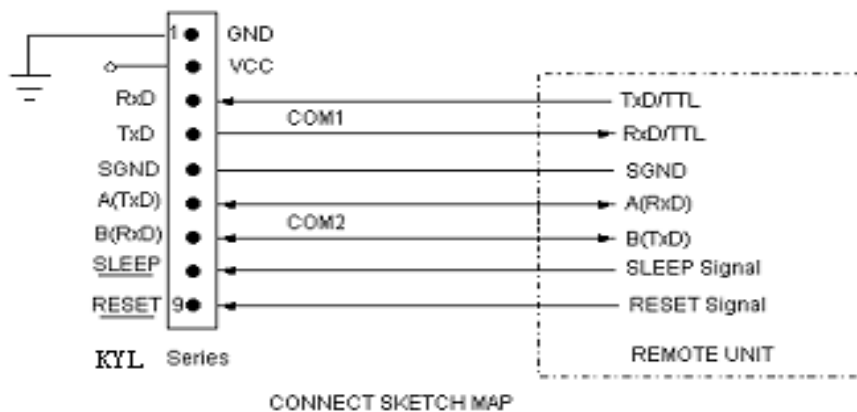


1. Default 5V Power supply
2. PIN Definition (9pin)

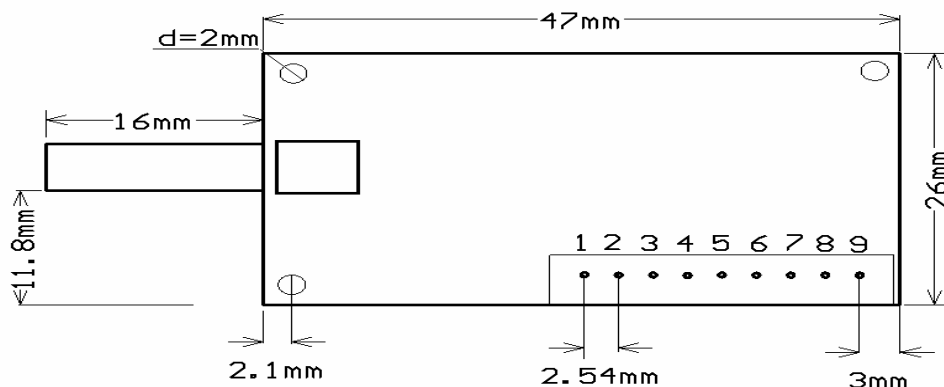
Shenzhen KYL Communication Equipment Co., Ltd.

Pin No.	Signal Name	Function	Level	Connection with terminal	Remarks
1	GND	Grounding of power supply		Ground	
2	Vcc	Power supply DC	5V		
3	RxD/TTL	Data receiving	TTL	TxD	
4	TxD/TTL	Data transmitting	TTL	RxD	
5	SGND	Signal			
6	A (TXD)	A of RS-485 (TxD of RS-232)		A(RxD)	
7	B (RXD)	B of RS-485 (RxD of RS-232)		B(TxD)	
8	SLEEP	Sleep control		Sleep signal	Low level valid
9	TEST	Factory testing			

3. The connection schematic between computer and the RF module



4. Installation dimension:



5. The Function-indicator light

- a. The LED indicator turns red for 0.5S when power on.
- b. The LED indicator turns green continually while receiving data from air.
- c. The LED indicator keeps dark when the module is in sleep mode.

Shenzhen KYL Communication Equipment Co., Ltd.

6. Parameter setting by our software

You can use our software KYLCOM.exe to read or set the parameter on computer. When you connect RF module to PC by the testing cable, please remember to connect the DB9 as well as USB port to computer.

i. Channel configuration:

Channel No.	Frequency	Channel No.	Frequency
1	429.0325MHZ	5	433.0325MHZ
2	430.0325MHZ	6	434.0325MHZ
3	431.0325MHZ	7	435.0325MHZ
4	432.0325MHZ	8	436.0325MHZ

7. About antenna

We usually allocate KYL-200U RF module with the following antenna. If you have any special needs about the antenna, please specify. You are welcomed to visit our web for more choice about the antenna:

<http://www.rf-data.com/product2.asp?BigClassName=Antennas>. Moreover, we also provide OEM&ODM service.



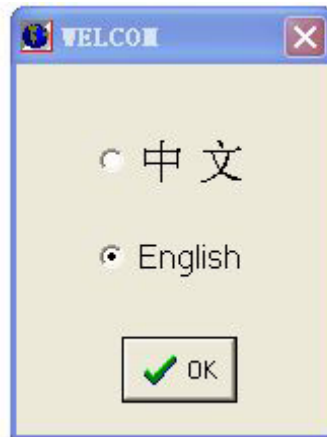
IV. The schematic diagram of setting the parameter as follows:

A. Connect the PC and module with (USB port)RS232 data cable.

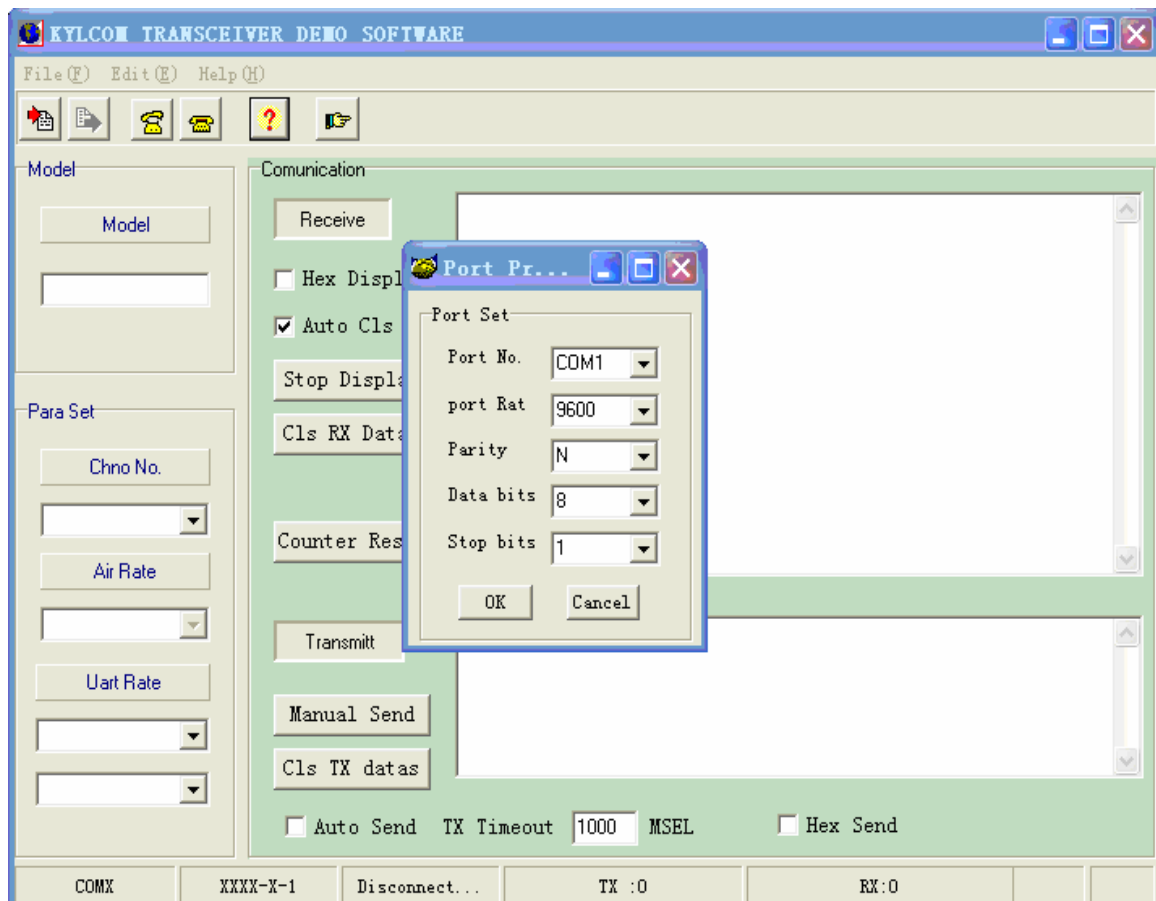
(pls install the USB driver first when your modules 's connector is USB interface)

B. Open the “KYLCOM” PC software, select “English” as follows:

Shenzhen KYL Communication Equipment Co., Ltd.



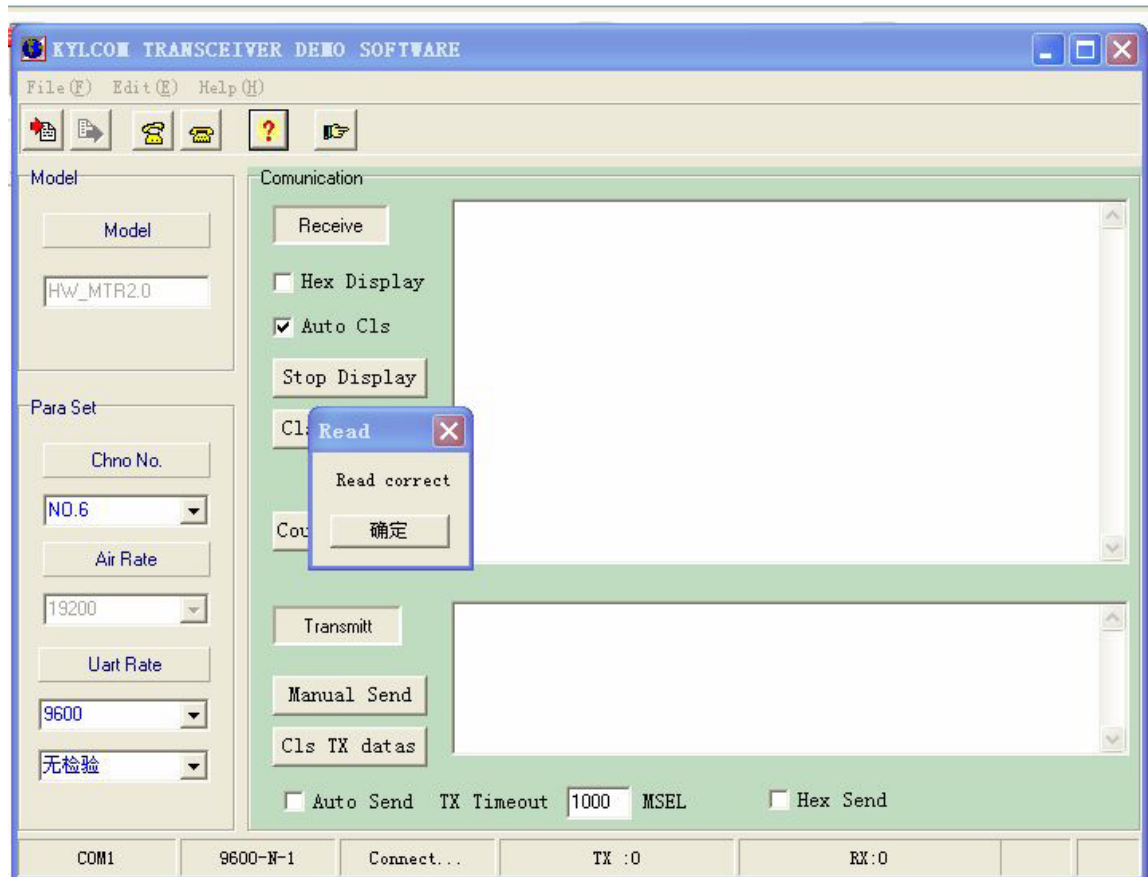
C. Click “open port”, then will open a small window as the following picture, clients will write the parameters in this windows. (pls choose the right com port of your PC ,or it will read erroe)



D. Click “read paras”.

“Read correct” show your connection between KYL module and PC is correct.

Shenzhen KYL Communication Equipment Co., Ltd.

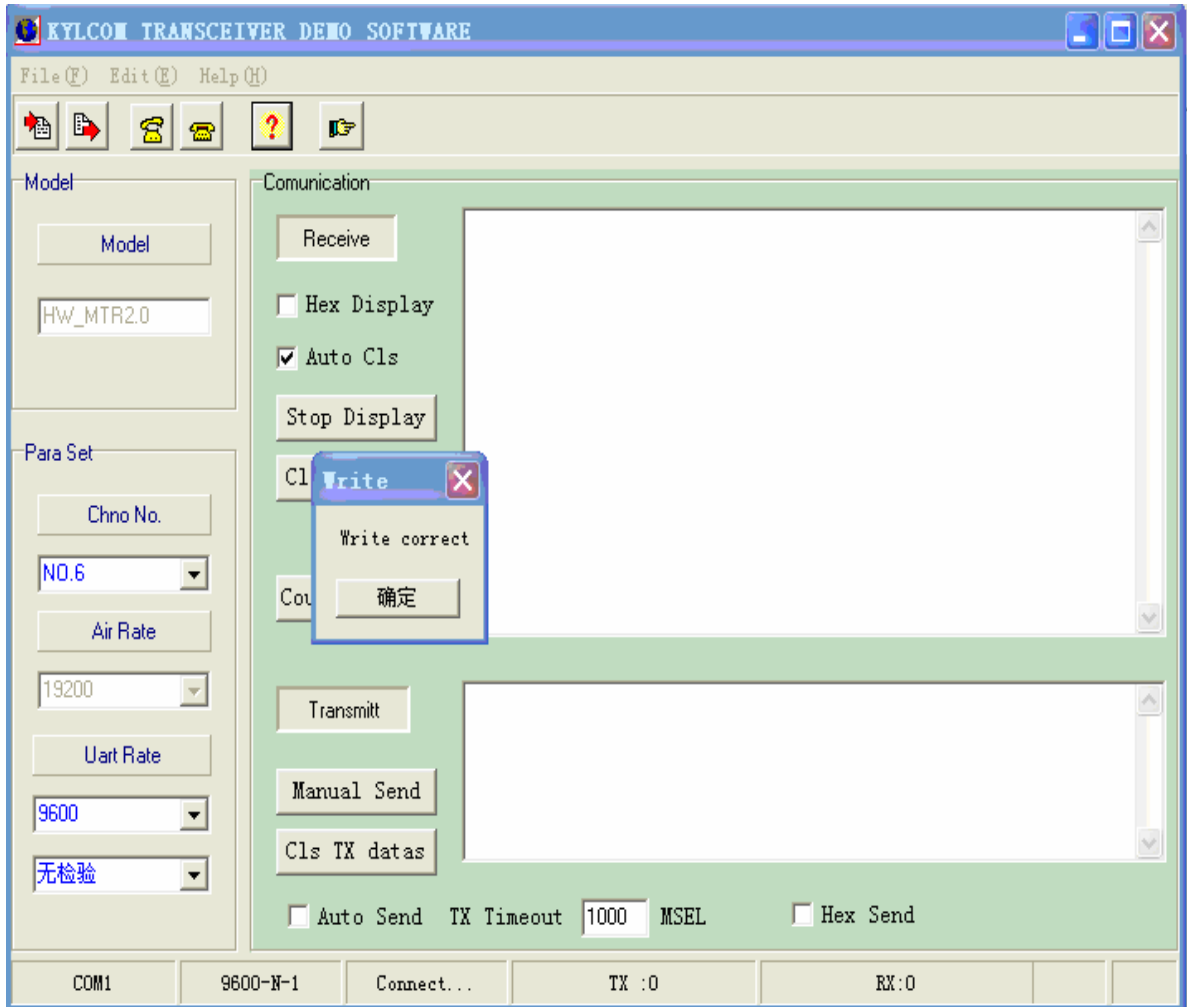


If you want to change some technical parameter, you need do as

follows.

e. User can change the parameter such as channel and interface rate and Parity mode according to actual demand through the button of the left window. After writing the parameters in the left catalogue, click the “write para”, then will show “write correct”. So you have finished the process for changing technical parameter.

Shenzhen KYL Communication Equipment Co., Ltd.



Note: The RF data rate(Air Rate) can not be set by user, it is confirmed when placing orders and set before delivery. So please confirm the RF data rate when placing the order.

Shenzhen KYL Communication Equipment Co., Ltd

4th Floor, Building 3, No. 335#, West Zhuguang Road, Xili, Nanshan District, Shenzhen, China

Fax: 86-755-83408785

Tel: 86-755-83410706